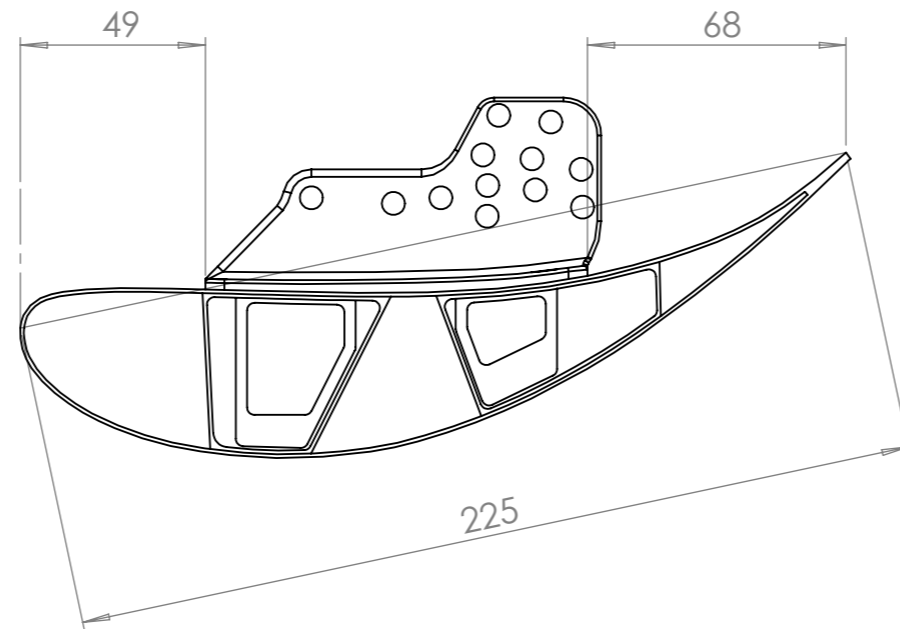
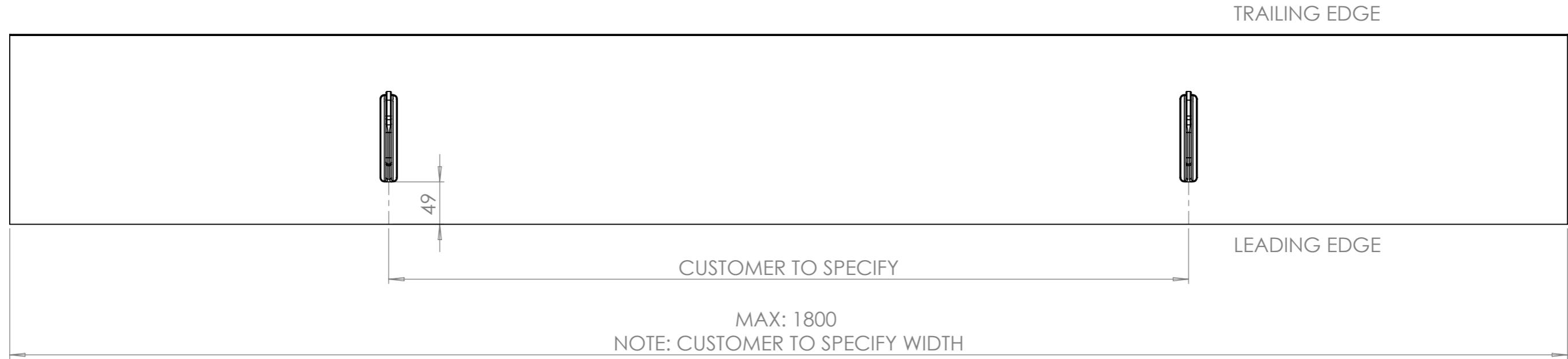


# R01SB0522: Reverie 225mm Chord Top-Mounted Carbon Fibre Rear Wing - Straight



PRODUCTION\QUALITY SIGN OFF: SIMON FARREN  
 COSTING\SPECIFICATION SIGN OFF: SIMON FARREN

A3 SHEET 1 OF 9

**ISS: DESCRIPTION:**  
 1 Original issue

**INITIALS:** JC  
**E.C.N. NO:**  
**DATE:** 10/07/2018

**ALL DIMENSIONS IN MILLIMETERS**  
 TOLERANCES (AT 20°C) UNLESS OTHERWISE STATED

NOMINAL LINEAR DIMENSIONS			SURFACE FINISHES:	
OVER-INCL	< 0.00	0.00	MILLING	N8
0-200	+/- 0.50	+/- 0.15	TURNING	N7
250-1000	+/- 1.00	+/- 0.20	GRINDING	N6
1000 PLUS	+/- 2.00	+/- 0.30	ANG DIMS +/- 0.5°	

REMOVE ALL BURRS AND SHARP EDGES UNLESS OTHERWISE STATED.  
 HOLES TO BS4500 1985.  
 THREADS TO BS3643 1981 METRIC COURSE.  
 BSP THREADS TO BS 2779 MED FIT  
 THIS A DRAWING IS A PRIVATE AND CONFIDENTIAL COMMUNICATION

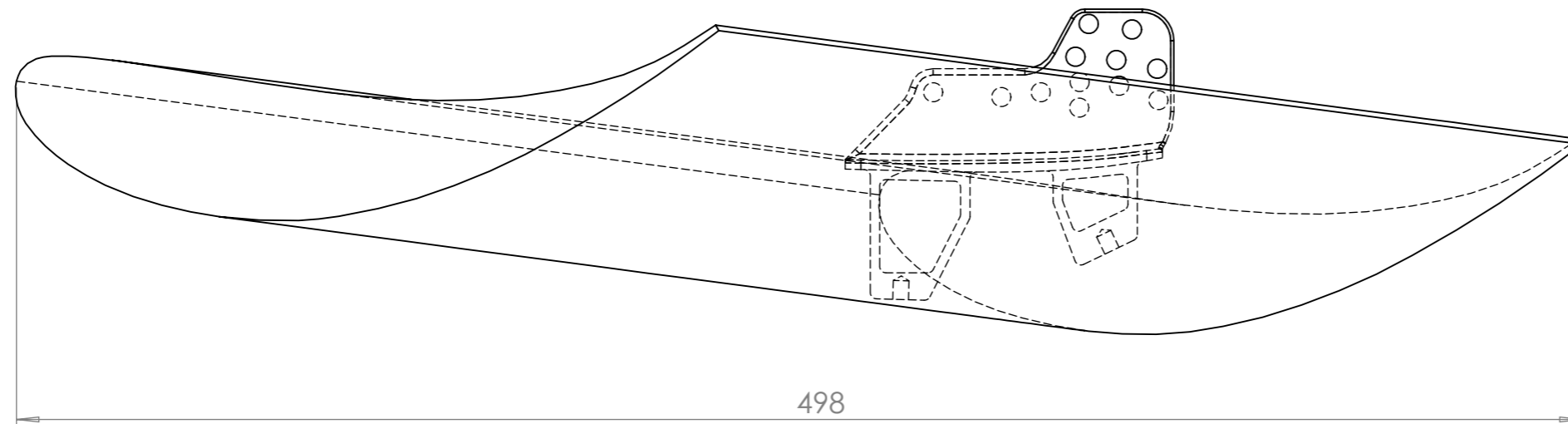
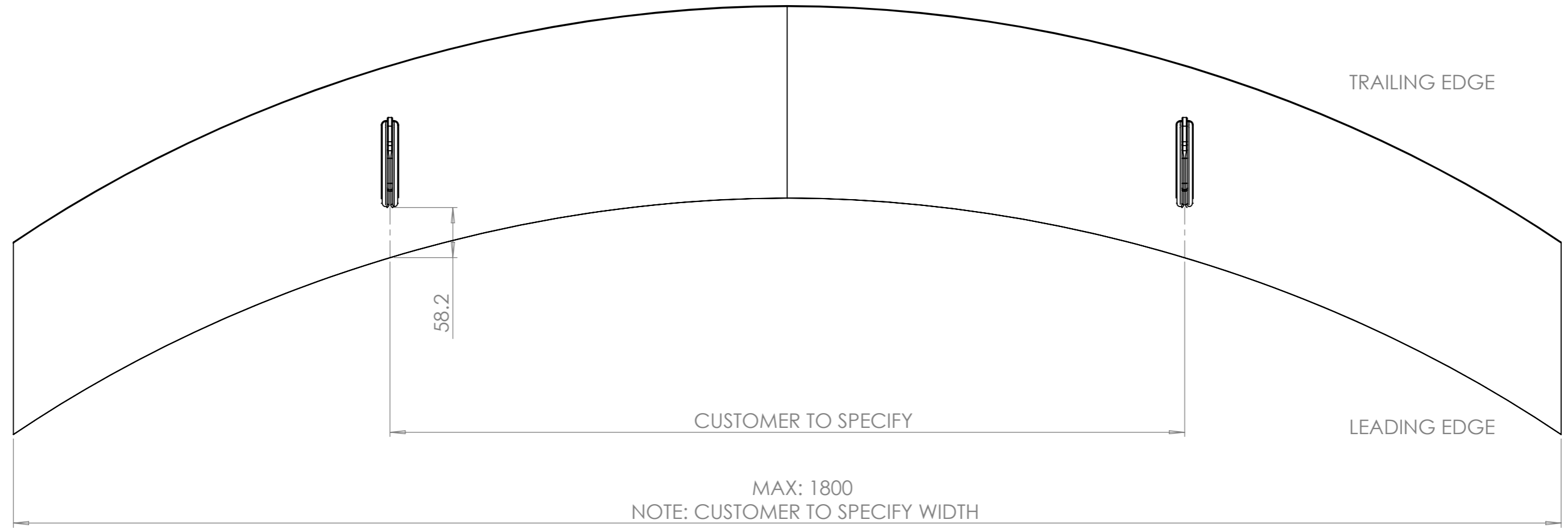


Reverie Ltd  
 Unit 2 Chandlers Row  
 Colchester  
 Essex  
 CO1 2HG  
 01206 866663  
 www.reverie.ltd.uk

**DRAWN:** JC  
**DATE:** 10/07/2018  
**FINISH:** SEE DRAWING  
**SCALE:** DO NOT SCALE  
**WEIGHT:** -

**APP:**  
**PART NO(S):** R01SB0522 - R01SB0529  
**TITLE:** REVERIE C/FIBRE REAR WING FOR SWAN MOUNT  
**CUSTOMER:** -  
**MATERIAL:** -  
**INSPECTION GRADE:** A-1 **PART QUALITY:** B  
**DRG. NO.:** R01SB0522 - R01SB0529

# R01SB0523: Reverie 225mm Chord Top-Mounted Carbon Fibre Rear Wing - Curved



PRODUCTION\QUALITY SIGN OFF: SIMON FARREN  
 COSTING\SPECIFICATION SIGN OFF: SIMON FARREN

A3 SHEET 2 OF 9

**ISS: DESCRIPTION:**  
 1 Original issue

**INITIALS:** JC  
**E.C.N. NO:**  
**DATE:** 10/07/2018

**ALL DIMENSIONS IN MILLIMETERS**  
 TOLERANCES (AT 20°C) UNLESS OTHERWISE STATED

NOMINAL LINEAR DIMENSIONS			SURFACE FINISHES:	
OVER-INCL	< 0.00	0.00	MILLING	N8
0-200	+/- 0.50	+/- 0.15	TURNING	N7
250-1000	+/- 1.00	+/- 0.20	GRINDING	N6
1000 PLUS	+/- 2.00	+/- 0.30	ANG DIMS	+/- 0.5°

REMOVE ALL BURRS AND SHARP EDGES UNLESS OTHERWISE STATED.  
 HOLES TO BS4500 1985.  
 THREADS TO BS3643 1981 METRIC COURSE.  
 BSP THREADS TO BS 2779 MED FIT  
 THIS A DRAWING IS A PRIVATE AND CONFIDENTIAL COMMUNICATION



Reverie Ltd  
 Unit 2 Chandlers Row  
 Colchester  
 Essex  
 CO1 2HG  
 01206 866663  
 www.reverie.ltd.uk

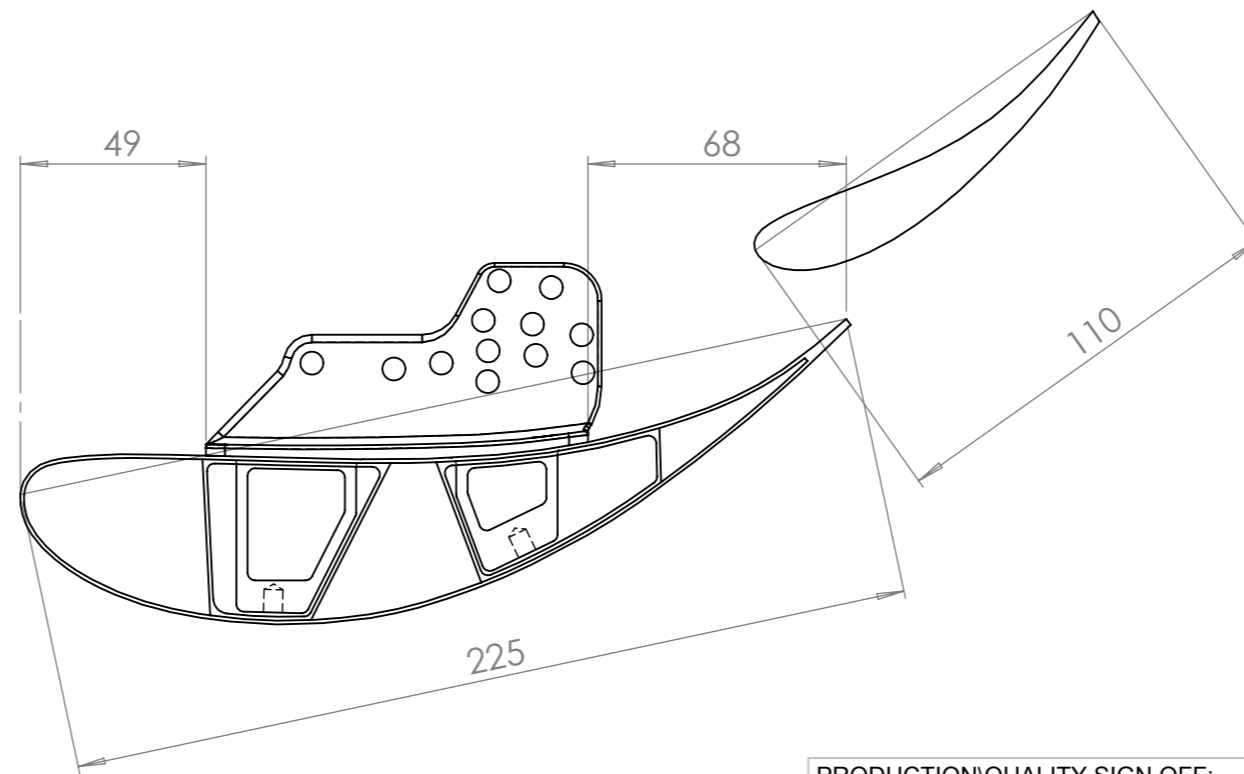
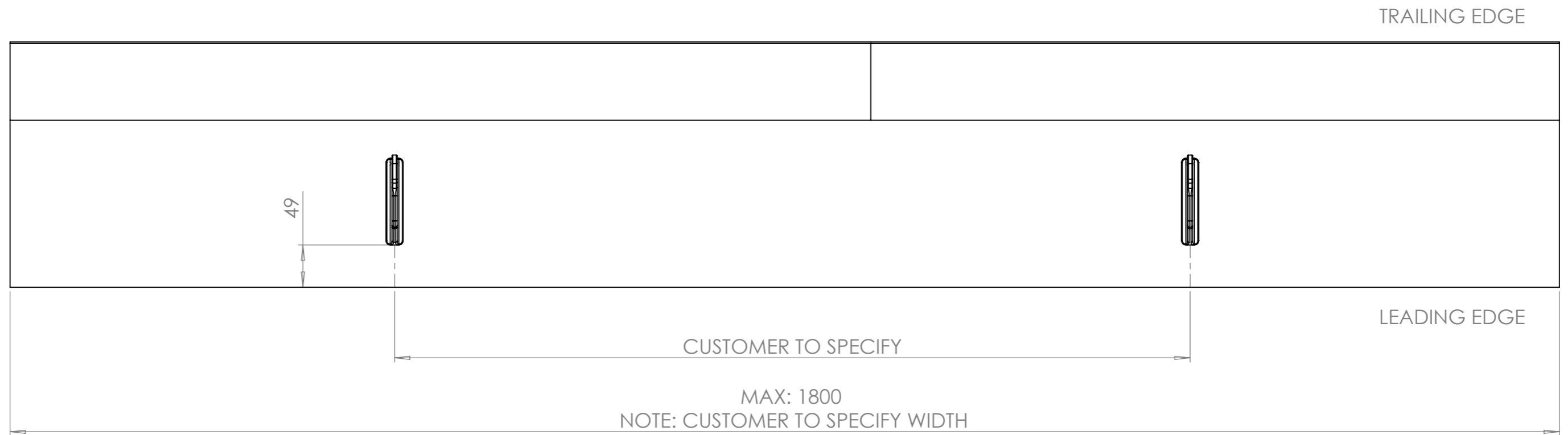
**DRAWN:** JC  
**DATE:** 10/07/2018  
**FINISH:** SEE DRAWING  
**SCALE:** DO NOT SCALE  
**WEIGHT:** -

**APP:**  
**PART NO(S):** R01SB0522 - R01SB0529  
**TITLE:** REVERIE C/FIBRE REAR WING FOR SWAN MOUNT  
**CUSTOMER:** -  
**MATERIAL:** -  
**INSPECTION GRADE:** A-1 **PART QUALITY:** B  
**DRG. NO.:** R01SB0522 - R01SB0529

F

F

# R01SB0524: Reverie 225mm + 110mm Chord Top-Mounted Carbon Fibre Rear Wing - Straight



PRODUCTION\QUALITY SIGN OFF:	SIMON FARREN	A3 SHEET 3 OF 9
COSTING\SPECIFICATION SIGN OFF:	SIMON FARREN	

<b>ISS:</b>	<b>DESCRIPTION:</b>	<b>INITIALS:</b>	<b>E.C.N. NO:</b>	<b>DATE:</b>
1	Original issue	JC		10/07/2018

ALL DIMENSIONS IN MILLIMETERS		
TOLERANCES (AT 20°C) UNLESS OTHERWISE STATED		
NOMINAL LINEAR DIMENSIONS	SURFACE FINISHES:	
OVER-INCL	< 0.00	0.00
0-200	+/- 0.50	+/- 0.15
250-1000	+/- 1.00	+/- 0.20
1000 PLUS	+/- 2.00	+/- 0.30
	ANG DIMS +/- 0.5°	

REMOVE ALL BURRS AND SHARP EDGES UNLESS OTHERWISE STATED  
 HOLES TO BS4500 1985.  
 THREADS TO BS3643 1981 METRIC COURSE.  
 BSP THREADS TO BS 2779 MED FIT  
 THIS A DRAWING IS A PRIVATE AND CONFIDENTIAL COMMUNICATION

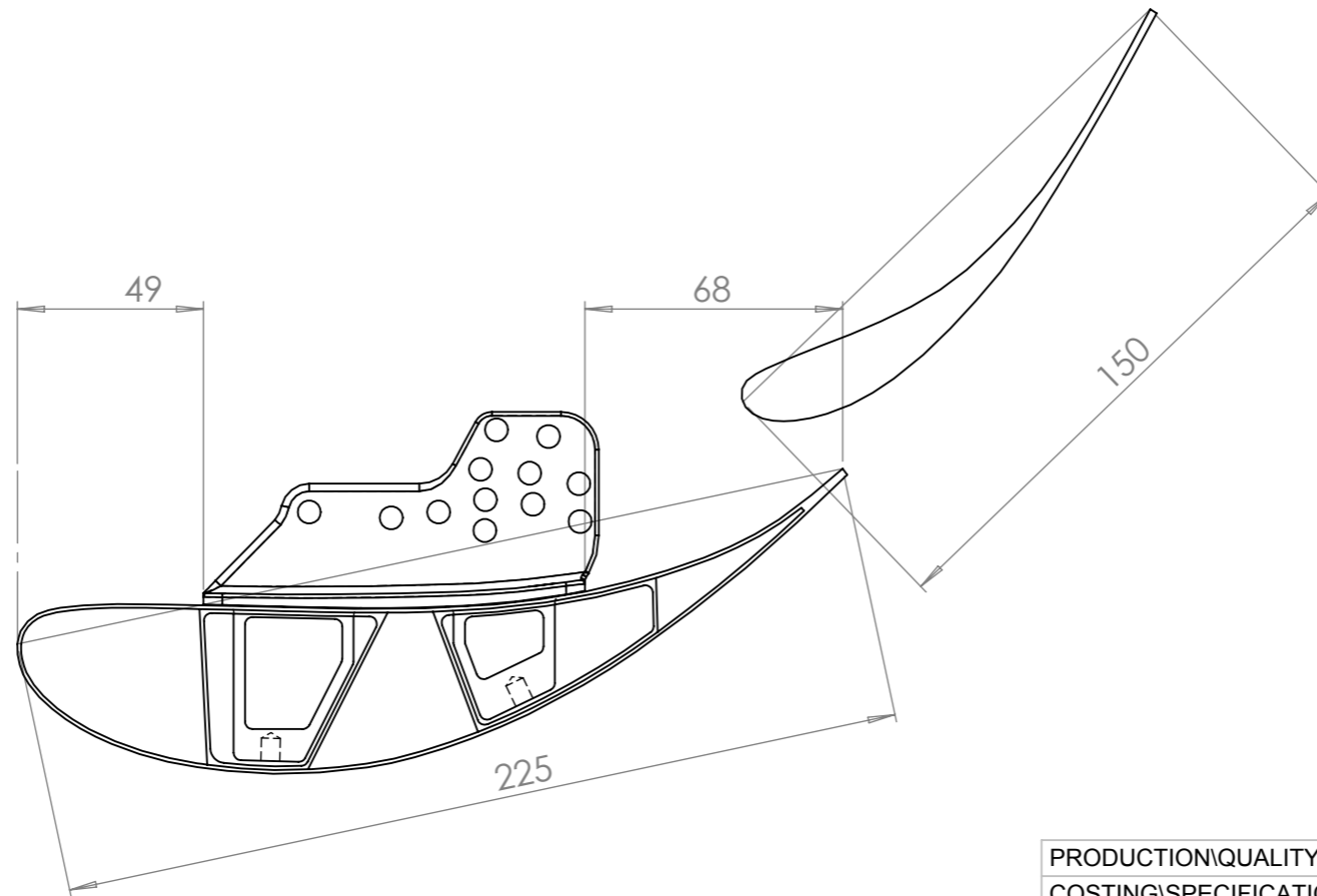
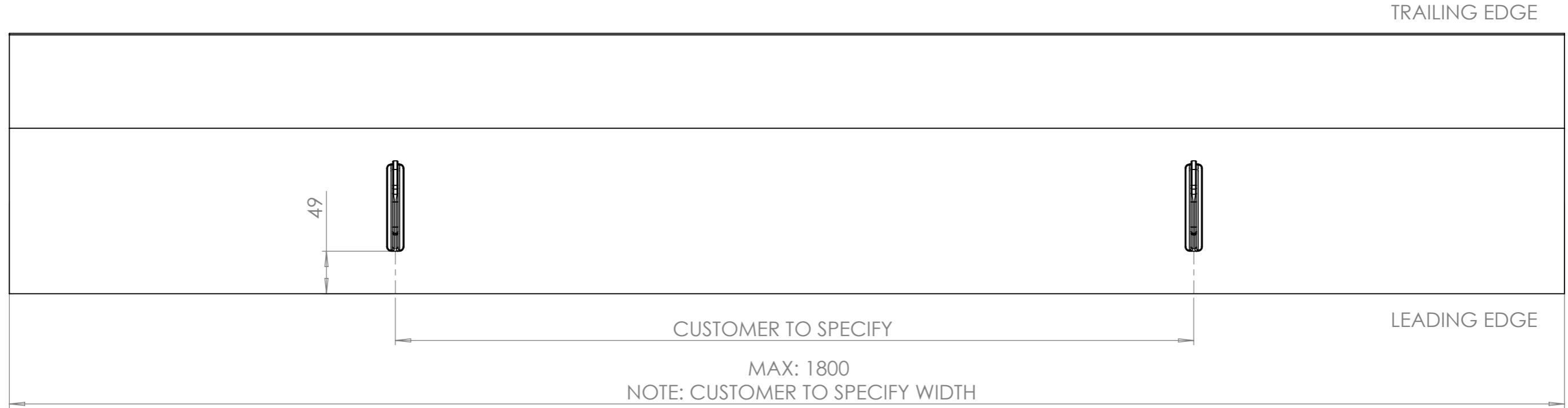


Reverie Ltd  
 Unit 2 Chandlers Row  
 Colchester  
 Essex  
 CO1 2HG  
 01206 866663  
 www.reverie.ltd.uk

<b>DRAWN:</b>	<b>APP:</b>
JC	
<b>DATE:</b>	
10/07/2018	
<b>FINISH:</b>	
SEE DRAWING	
<b>SCALE:</b>	
DO NOT SCALE	
<b>WEIGHT:</b>	
-	

<b>PART NO(S):</b>	R01SB0522 - R01SB0529
<b>TITLE:</b>	REVERIE C/FIBRE REAR WING FOR SWAN MOUNT
<b>CUSTOMER:</b>	-
<b>MATERIAL:</b>	-
<b>INSPECTION GRADE:</b>	A-1
<b>PART QUALITY:</b>	B
<b>DRG. NO.:</b>	R01SB0522 - R01SB0529

# R01SB0525: Reverie 225mm + 150mm Chord Top-Mounted Carbon Fibre Rear Wing - Straight



PRODUCTION\QUALITY SIGN OFF:	SIMON FARREN	
COSTING\SPECIFICATION SIGN OFF:	SIMON FARREN	A3 SHEET 4 OF 9

<b>ISS:</b>	<b>DESCRIPTION:</b>	<b>INITIALS:</b>	<b>E.C.N. NO:</b>	<b>DATE:</b>
1	Original issue	JC		10/07/2018

**ALL DIMENSIONS IN MILLIMETERS**

REMOVE ALL BURRS AND SHARP EDGES UNLESS OTHERWISE STATED

HOLES TO BS4500 1985.

THREADS TO BS3643 1981 METRIC COURSE.

BSP THREADS TO BS 2779 MED FIT

THIS A DRAWING IS A PRIVATE AND CONFIDENTIAL COMMUNICATION

NOMINAL LINEAR DIMENSIONS		SURFACE FINISHES:	
OVER-INCL	< 0.00	0.00	MILLING N8
0-200	+/- 0.50	+/- 0.15	TURNING N7
250-1000	+/- 1.00	+/- 0.20	GRINDING N6
1000 PLUS	+/- 2.00	+/- 0.30	ANG DIMS +/- 0.5°

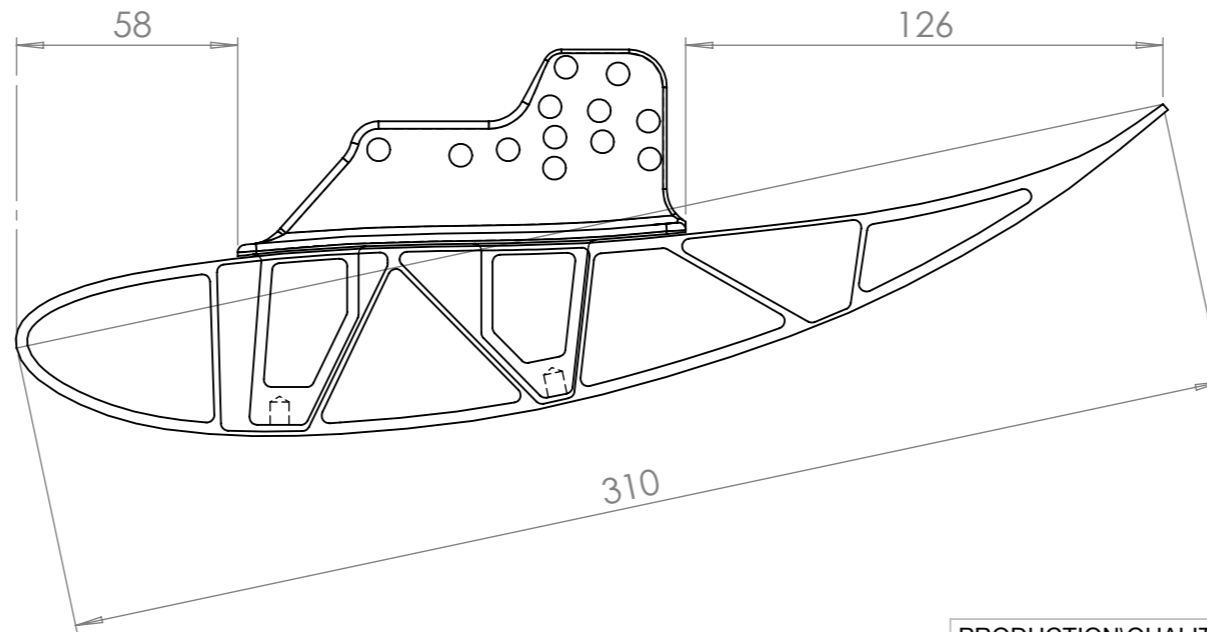
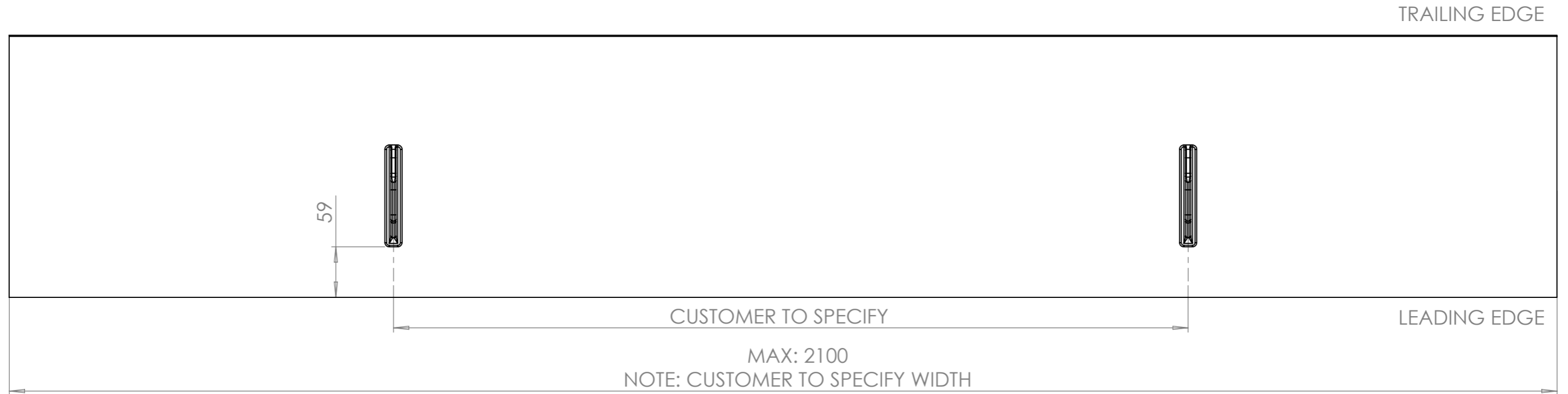


Reverie Ltd  
 Unit 2 Chandlers Row  
 Colchester  
 Essex  
 CO1 2HG  
 01206 866663  
 www.reverie.ltd.uk

<b>DRAWN:</b>	<b>APP:</b>
JC	
<b>DATE:</b>	
10/07/2018	
<b>FINISH:</b>	
SEE DRAWING	
<b>SCALE:</b>	
DO NOT SCALE	
<b>WEIGHT:</b>	
-	

<b>PART NO(S):</b>	R01SB0522 - R01SB0529
<b>TITLE:</b>	REVERIE C/FIBRE REAR WING FOR SWAN MOUNT
<b>CUSTOMER:</b>	-
<b>MATERIAL:</b>	-
<b>INSPECTION GRADE:</b>	A-1
<b>PART QUALITY:</b>	B
<b>DRG. NO.:</b>	R01SB0522 - R01SB0529

# R01SB0526: Reverie 310mm Chord Low Drag Top-Mounted Carbon Fibre Rear Wing - Straight



PRODUCTION\QUALITY SIGN OFF:	SIMON FARREN	A3 SHEET 5 OF 9
COSTING\SPECIFICATION SIGN OFF:	SIMON FARREN	

<b>ISS:</b>	<b>DESCRIPTION:</b>	<b>INITIALS:</b>	<b>E.C.N. NO:</b>	<b>DATE:</b>
1	Original issue	JC		10/07/2018

ALL DIMENSIONS IN MILLIMETERS		
TOLERANCES (AT 20°C) UNLESS OTHERWISE STATED		
NOMINAL LINEAR DIMENSIONS	SURFACE FINISHES:	
OVER-INCL	< 0.00	0.00
0-200	+/- 0.50	+/- 0.15
250-1000	+/- 1.00	+/- 0.20
1000 PLUS	+/- 2.00	+/- 0.30
	ANG DIMS +/- 0.5°	

REMOVE ALL BURRS AND SHARP EDGES UNLESS OTHERWISE STATED

HOLES TO BS4500 1985.

THREADS TO BS3643 1981 METRIC COURSE.

BSP THREADS TO BS 2779 MED FIT

THIS A DRAWING IS A PRIVATE AND CONFIDENTIAL COMMUNICATION

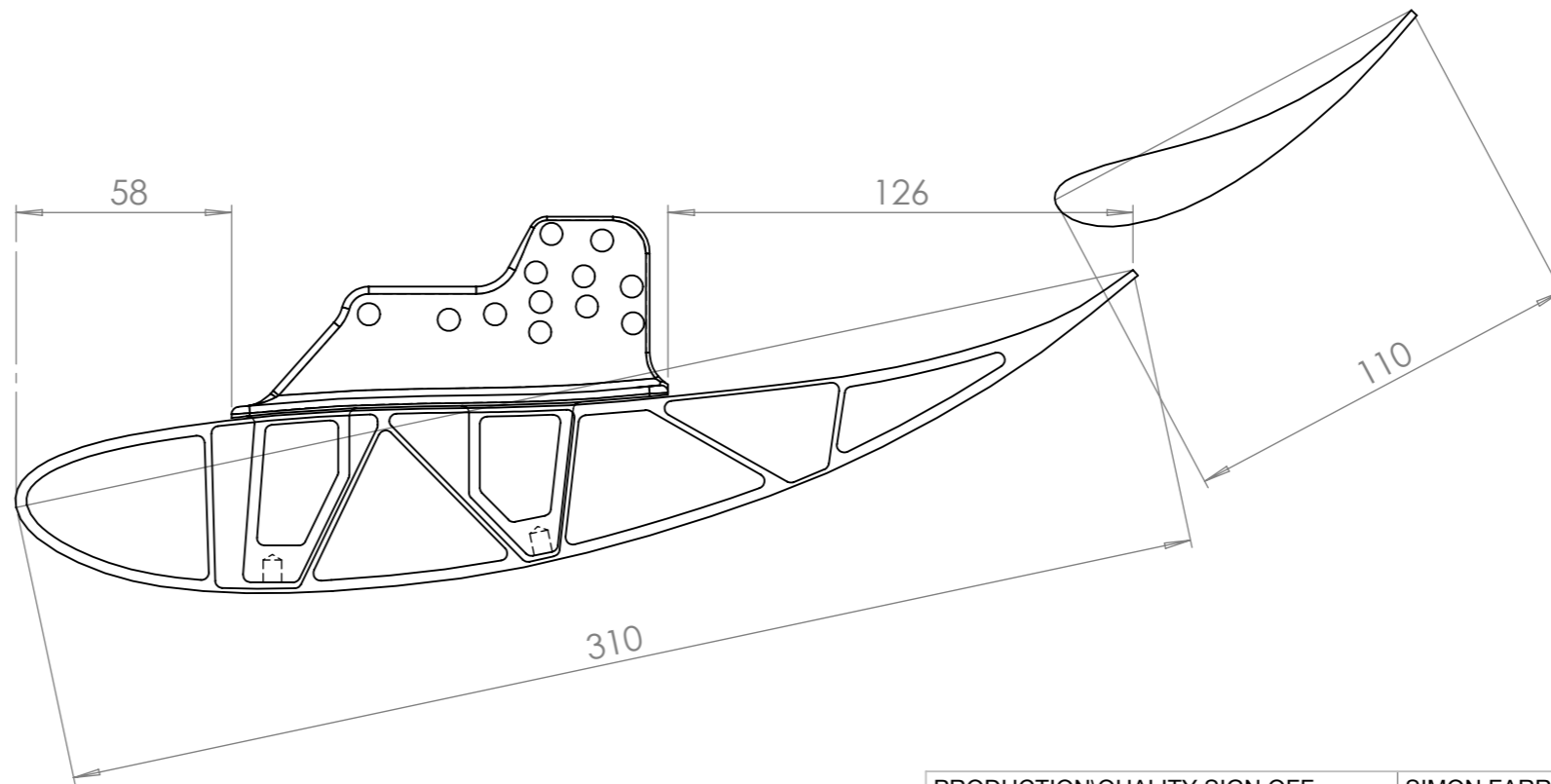
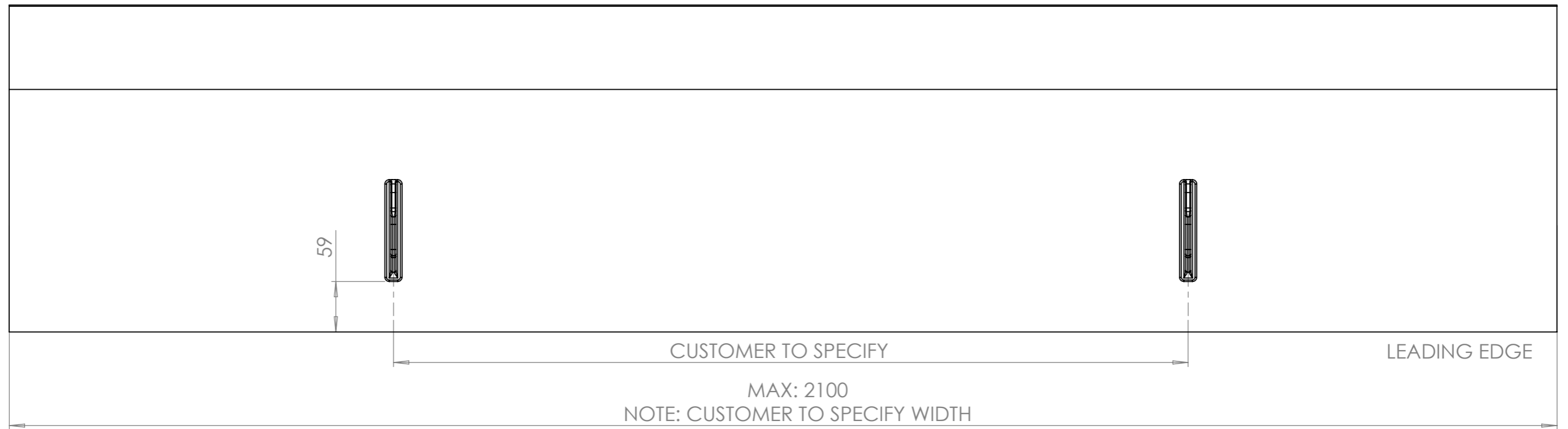


Reverie Ltd  
Unit 2 Chandlers Row  
Colchester  
Essex  
CO1 2HG  
01206 866663  
www.reverie.ltd.uk

<b>DRAWN:</b>	<b>APP:</b>
JC	
<b>DATE:</b>	
10/07/2018	
<b>FINISH:</b>	
SEE DRAWING	
<b>SCALE:</b>	
DO NOT SCALE	
<b>WEIGHT:</b>	
-	

<b>PART NO(S):</b>	R01SB0522 - R01SB0529
<b>TITLE:</b>	REVERIE C/FIBRE REAR WING FOR SWAN MOUNT
<b>CUSTOMER:</b>	-
<b>MATERIAL:</b>	-
<b>INSPECTION GRADE:</b>	A-1
<b>PART QUALITY:</b>	B
<b>DRG. NO.:</b>	R01SB0522 - R01SB0529

# R01SB0527: Reverie 310mm + 110mm Chord Low Drag Top-Mounted Carbon Fibre Rear Wing - Straight



PRODUCTION\QUALITY SIGN OFF:	SIMON FARREN	A3 SHEET 6 OF 9
COSTING\SPECIFICATION SIGN OFF:	SIMON FARREN	

<b>ISS:</b>	<b>DESCRIPTION:</b>	<b>INITIALS:</b>	<b>E.C.N. NO.:</b>	<b>DATE:</b>
1	Original issue	JC		10/07/2018

**ALL DIMENSIONS IN MILLIMETERS**

REMOVE ALL BURRS AND SHARP EDGES UNLESS OTHERWISE STATED

HOLES TO BS4500 1985.

THREADS TO BS3643 1981 METRIC COURSE.

BSP THREADS TO BS 2779 MED FIT

THIS A DRAWING IS A PRIVATE AND CONFIDENTIAL COMMUNICATION

NOMINAL LINEAR DIMENSIONS		SURFACE FINISHES:	
OVER-INCL	< 0.00 0.00	MILLING	N8
0-200	+/- 0.50 +/- 0.15	TURNING	N7
250-1000	+/- 1.00 +/- 0.20	GRINDING	N6
1000 PLUS	+/- 2.00 +/- 0.30	ANG DIMS	+/- 0.5°

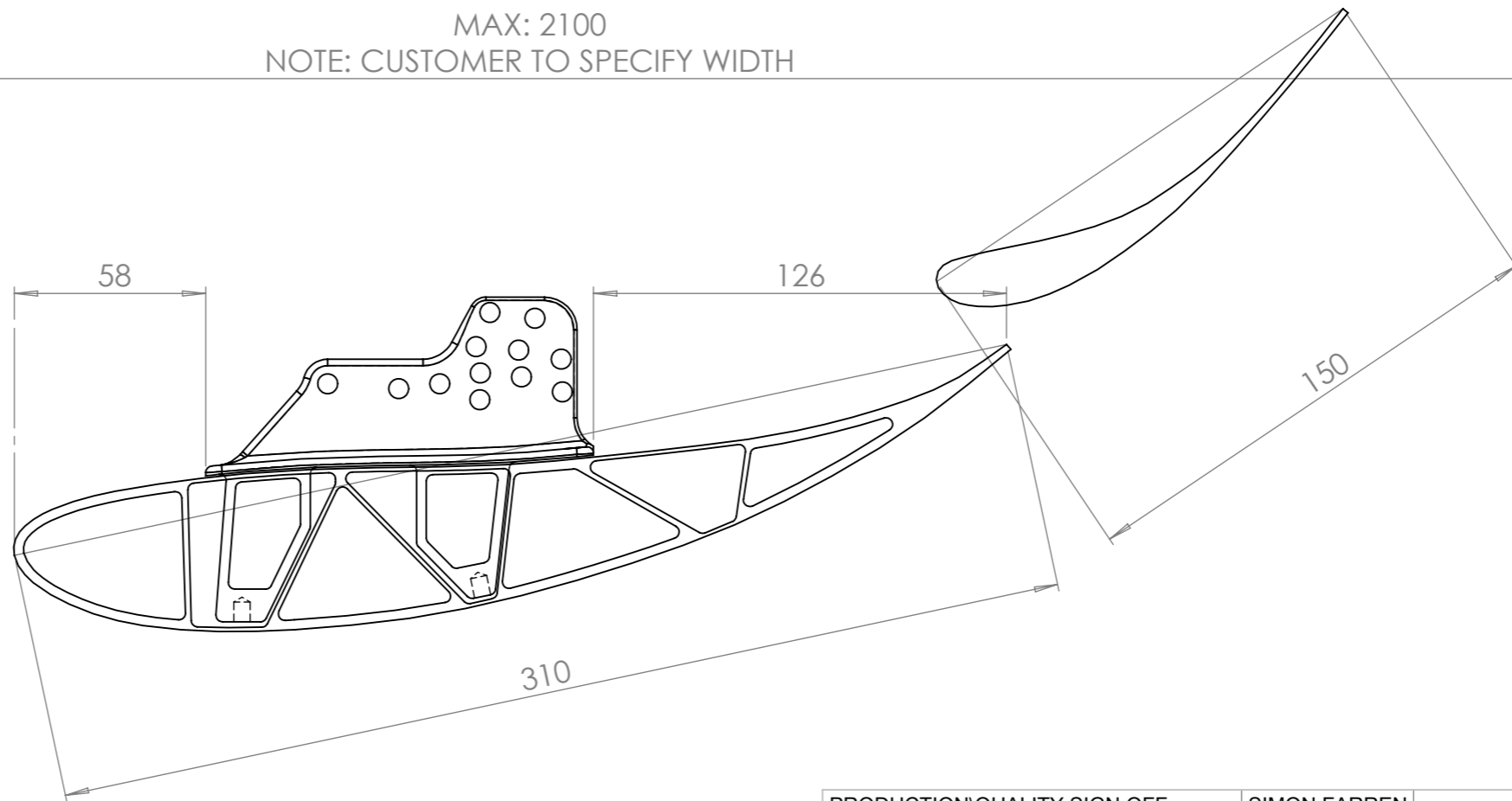
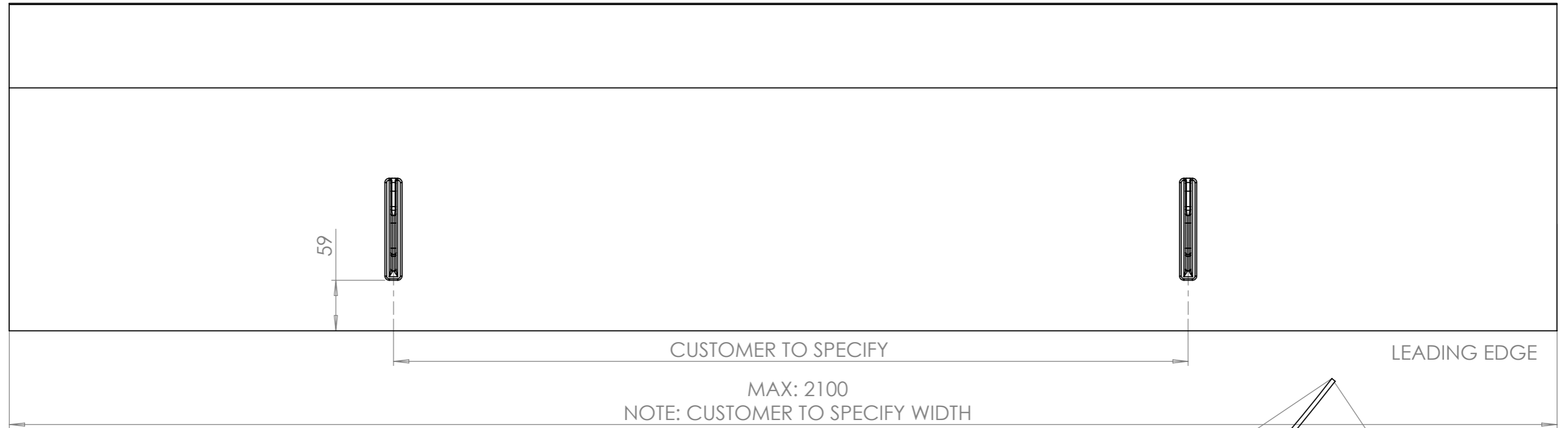


Reverie Ltd  
Unit 2 Chandlers Row  
Colchester  
Essex  
CO1 2HG  
01206 866663  
www.reverie.ltd.uk

<b>DRAWN:</b>	JC	<b>APP:</b>	
<b>DATE:</b>	10/07/2018		
<b>FINISH:</b>	SEE DRAWING		
<b>SCALE:</b>	DO NOT SCALE		
<b>WEIGHT:</b>	-		

<b>PART NO(S):</b>	R01SB0522 - R01SB0529
<b>TITLE:</b>	REVERIE C/FIBRE REAR WING FOR SWAN MOUNT
<b>CUSTOMER:</b>	-
<b>MATERIAL:</b>	-
<b>INSPECTION GRADE:</b>	A-1
<b>PART QUALITY:</b>	B
<b>DRG. NO.:</b>	R01SB0522 - R01SB0529

# R01SB0528: Reverie 310mm + 150mm Chord Low Drag Top-Mounted Carbon Fibre Rear Wing - Straight



PRODUCTION\QUALITY SIGN OFF:	SIMON FARREN	A3 SHEET 7 OF 9
COSTING\SPECIFICATION SIGN OFF:	SIMON FARREN	

<b>ISS:</b>	<b>DESCRIPTION:</b>	<b>INITIALS:</b>	<b>E.C.N. NO.:</b>	<b>DATE:</b>
1	Original issue	JC		10/07/2018

<b>ALL DIMENSIONS IN MILLIMETERS</b>		
TOLERANCES (AT 20°C) UNLESS OTHERWISE STATED		
<b>NOMINAL LINEAR DIMENSIONS</b>	<b>SURFACE FINISHES:</b>	
OVER-INCL	< 0.00	0.00
0-200	+/- 0.50	+/- 0.15
250-1000	+/- 1.00	+/- 0.20
1000 PLUS	+/- 2.00	+/- 0.30
	ANG DIMS +/- 0.5°	

REMOVE ALL BURRS AND SHARP EDGES UNLESS OTHERWISE STATED.

HOLES TO BS4500 1985.

THREADS TO BS3643 1981 METRIC COURSE.

BSP THREADS TO BS 2779 MED FIT

THIS A DRAWING IS A PRIVATE AND CONFIDENTIAL COMMUNICATION

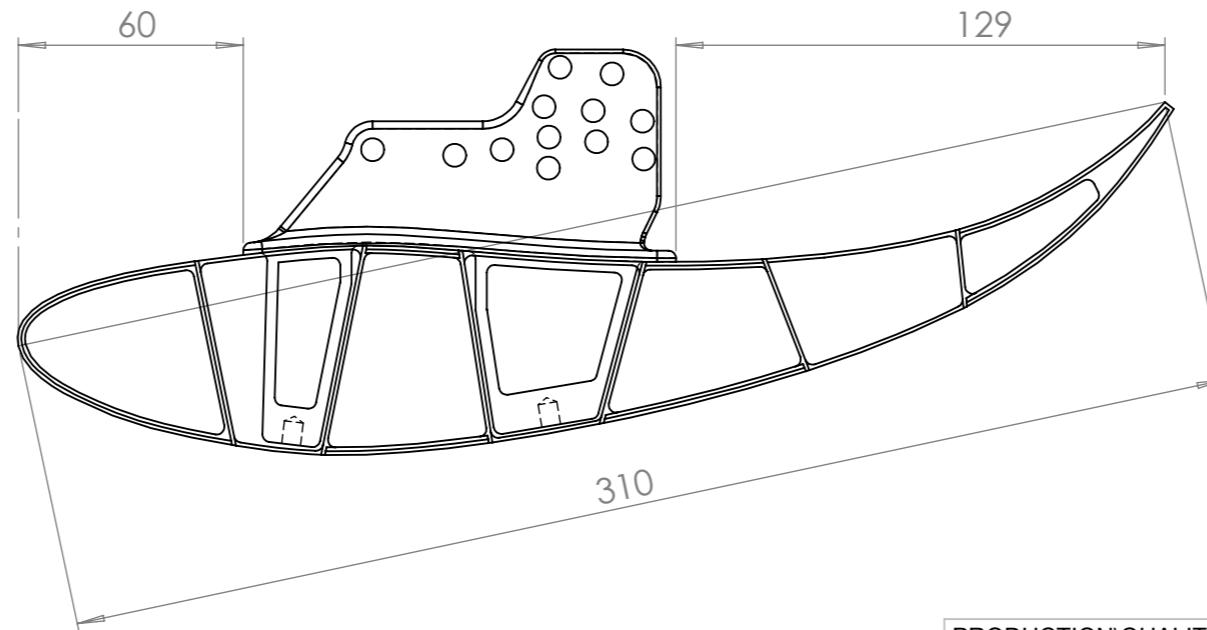
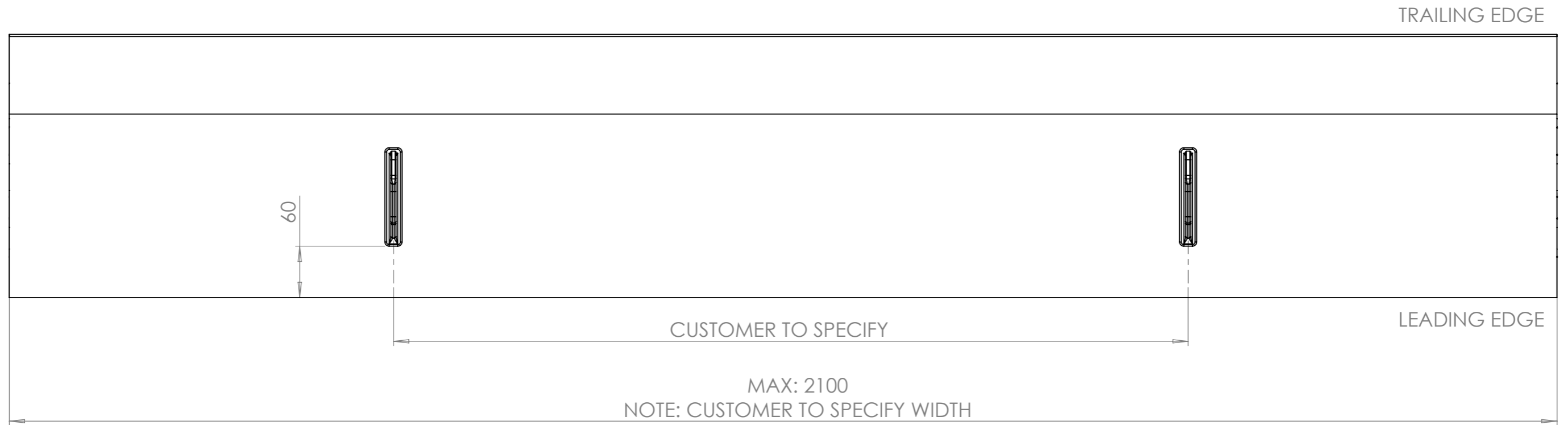


Reverie Ltd  
Unit 2 Chandlers Row  
Colchester  
Essex  
CO1 2HG  
01206 866663  
www.reverie.ltd.uk

<b>DRAWN:</b>	<b>APP:</b>
JC	
<b>DATE:</b>	
10/07/2018	
<b>FINISH:</b>	
SEE DRAWING	
<b>SCALE:</b>	
DO NOT SCALE	
<b>WEIGHT:</b>	
-	

<b>PART NO(S):</b>	R01SB0522 - R01SB0529
<b>TITLE:</b>	REVERIE C/FIBRE REAR WING FOR SWAN MOUNT
<b>CUSTOMER:</b>	-
<b>MATERIAL:</b>	-
<b>INSPECTION GRADE:</b>	A-1
<b>PART QUALITY:</b>	B
<b>DRG. NO.:</b>	R01SB0522 - R01SB0529

# R01SB0529: Reverie 310mm High Downforce Top-Mounted Carbon Fibre Rear Wing - Straight



PRODUCTION\QUALITY SIGN OFF:	SIMON FARREN	A3	SHEET 8 OF 9
COSTING\SPECIFICATION SIGN OFF:	SIMON FARREN		

ISS:	DESCRIPTION:	INITIALS:	E.C.N. NO:	DATE:
1	Original issue	JC		10/07/2018

ALL DIMENSIONS IN MILLIMETERS		
TOLERANCES (AT 20°C) UNLESS OTHERWISE STATED		
NOMINAL LINEAR DIMENSIONS	SURFACE FINISHES:	
OVER-INCL	< 0.00	0.00
0-200	+/- 0.50	+/- 0.15
250-1000	+/- 1.00	+/- 0.20
1000 PLUS	+/- 2.00	+/- 0.30
ANG DIMS		+/- 0.5°

REMOVE ALL BURRS AND SHARP EDGES UNLESS OTHERWISE STATED.  
 HOLES TO BS4500 1985.  
 THREADS TO BS3643 1981 METRIC COURSE.  
 BSP THREADS TO BS 2779 MED FIT  
 THIS A DRAWING IS A PRIVATE AND CONFIDENTIAL COMMUNICATION



Reverie Ltd  
 Unit 2 Chandlers Row  
 Colchester  
 Essex  
 CO1 2HG  
 01206 866663  
 www.reverie.ltd.uk

DRAWN:	APP:
JC	
DATE:	
10/07/2018	
FINISH:	
SEE DRAWING	
SCALE:	
DO NOT SCALE	
WEIGHT: -	

<b>PART NO(S):</b>	R01SB0522 - R01SB0529
<b>TITLE:</b>	REVERIE C/FIBRE REAR WING FOR SWAN MOUNT
<b>CUSTOMER:</b>	-
<b>MATERIAL:</b>	-
<b>INSPECTION GRADE:</b>	A-1
<b>PART QUALITY:</b>	B
<b>DRG. NO.:</b>	R01SB0522 - R01SB0529